

MODEL 252

Label Printer Applicator

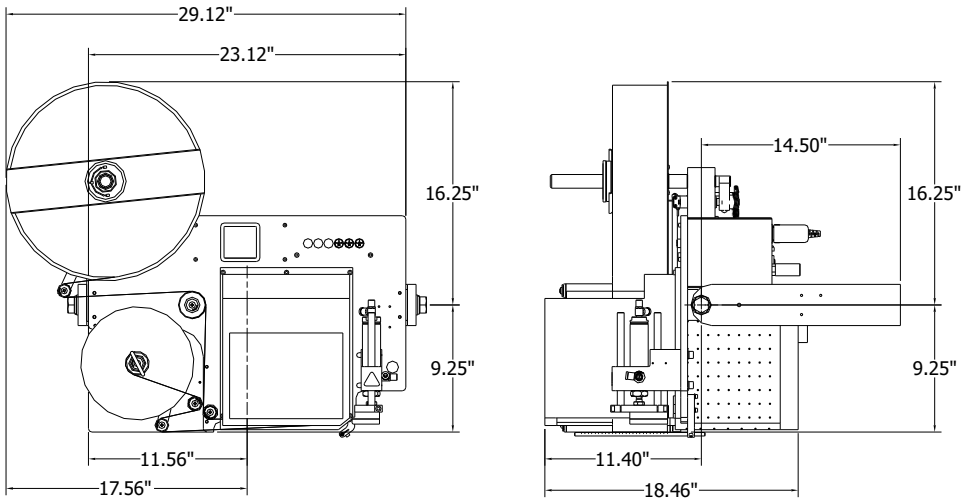
- Innovative Centerline-Modularity™ Design
- “Hot-Swap” Modules Drastically Reduce Downtime
- Touch Screen User Interface
- User Configurable Status Outputs

The IDT Model 252 Label Printer Applicator features the same modular design and robust construction companies have come to expect from the IDT Model 250, however it goes one step further with the integration of ID Technology’s revolutionary Centerline-Modularity design philosophy. The goal of Centerline-Modularity is to remove as many adjustment points from a machine as possible, creating an easily identifiable reference point for default calibration. Additionally, the machine is built with easily hot-swappable modules for quick fault diagnosis and repair, allowing for greatest uptime and lowest running cost.

Features include a touch screen User Interface for easy programming, a no adjustment 14” unwind module, a revolutionary plasma coated air assist tube that eliminates label sticking, and an optional service position Tamp Module.

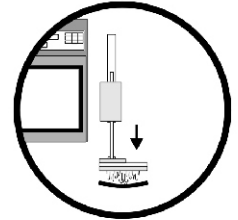
The IDT Model 252 exemplifies why ID Technology is the Leading manufacturer of Label Printer Applicators.

Model 252 Label Printer Applicator

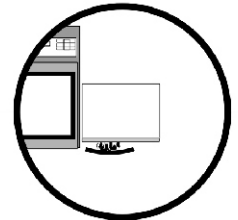


Note: All photography and dimensional drawings depict representative examples of systems.
Dimensions, options and controls vary by application.

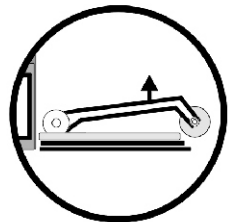
Application Options



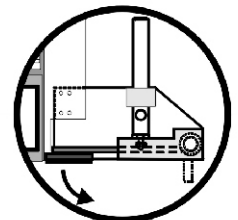
Tamp-Jet



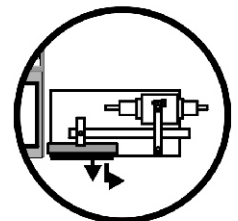
Blow-On



Corner Wrap



Swing Arm



Dual-Panel Tamp

Model 252 Label Printer Applicator Specifications

Print Engines	Choice of Sato, Zebra or Datamax <i>(see print engine data sheet)</i>	
Communications	Parallel, RS232, RS422/485, USB, Ethernet <i>(see print engine data sheet)</i>	
Electrical	110 to 240 VAC, 50-60 Hz input power	
Air Requirements	Clean air at 80psi min. to 120psi dependent upon the application method and rate	
Product Sensing	Photoelectric	
Label Roll Size	14" (OD) x 3" (ID) - Standard 16 1/2" Unpowered Unwind - Optional	
Label Style	Die cut, waste removed, outside wound, with 1/8" minimum gap in the running direction	
Standard Label Size	.25" Minimum Width <i>(see print engine data sheet)</i> 7.1" Maximum Width Maximum length is application specific	
Upgrades and Options	Tamp-Jet Upgrade	Smart Tamp
	Swing Arm Tamp	Dual-Panel Tamp
	Service Position Tamp	Corner Wrap
	Blow-On	Left Hand Configuration
	Support Stand	Status Beacon
	Low Label Alarm	System Status Output



2051 Franklin Drive
Fort Worth, TX 76106
888.438.3242
www.idtechnology.com